

TECHNICAL DATA

Tru-Trac Taper Trough Tracker

XHD Rubber Rings

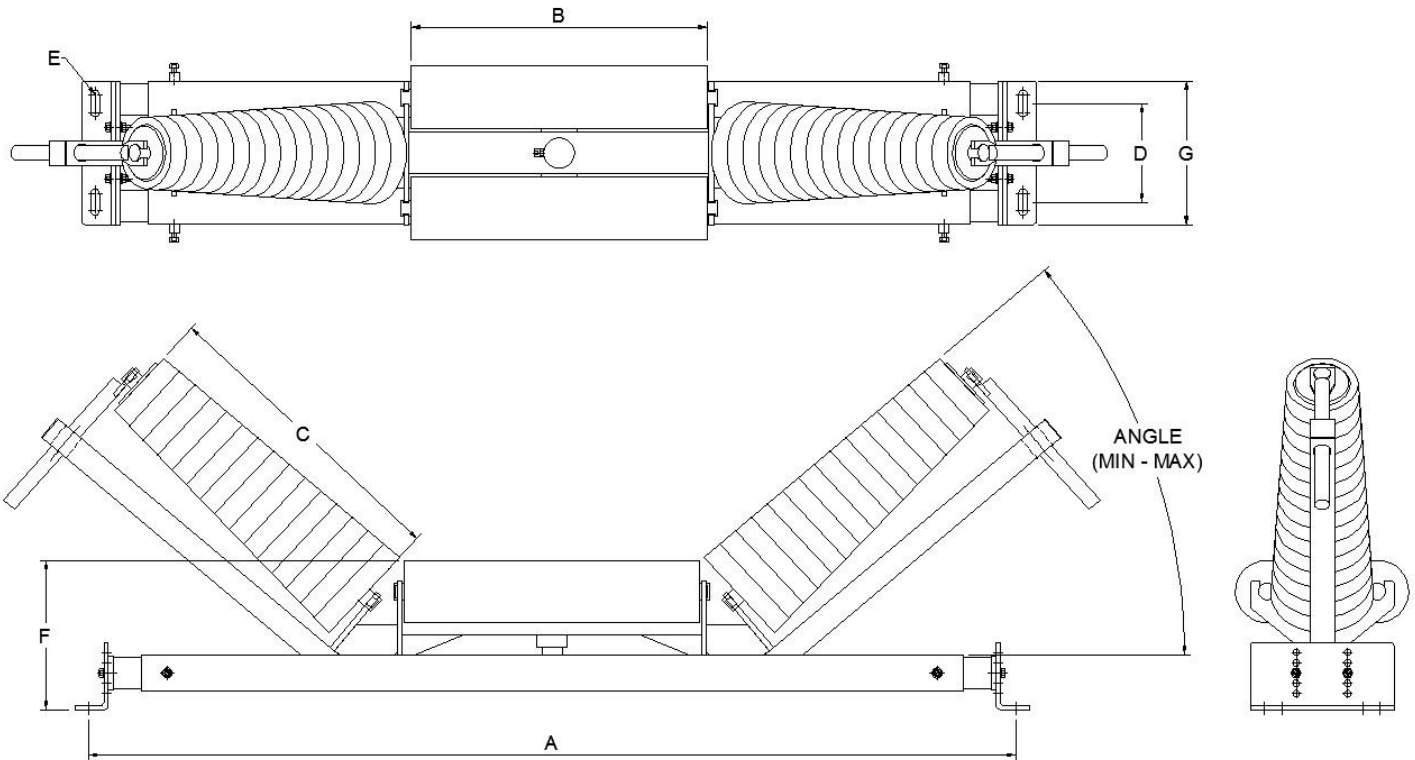
Doc. No:TTMQ907

Page: 1 of 1

Rev: 0

Date: 10.02.2017

Centre Roll Bearings: Spherical Bearings
Wing Roll Bearings: Spherical Bearings



Code	Belt width	A Adjustable +/-150MM	B	C	D Min - Max	E (Slot)	F Min - Max	Angle Min - Max	G	Weight (Kg)
TTT120XHDTAPRR	1200	1448	430 x Ø152	490	197 - 283	22 x 65	275 - 375	35° - 45°	350	120
TTT135XHDTAPRR	1350	1600	480 x Ø152	490	197 - 283	22 x 65	275 - 375	35° - 45°	350	141
TTT140XHDTAPRR	1400	1700	480 x Ø152	490	197 - 283	22 x 65	275 - 375	35° - 45°	350	141
TTT150XHDTAPRR	1500	1752	540 x Ø152	640	197 - 283	22 x 65	275 - 375	35° - 45°	350	168
TTT160XHDTAPRR	1600	1900	540 x Ø152	640	197 - 283	22 x 65	275 - 375	35° - 45°	350	173
TTT165XHDTAPRR	1650	1900	540 x Ø152	640	197 - 283	22 x 65	275 - 375	35° - 45°	350	173
TTT180XHDTAPRR	1800	2058	640 x Ø152	640	197 - 283	22 x 65	275 - 375	35° - 45°	350	179

All dimensions in mm

1200-1800 Both Centre Rolls & Wing Rolls Shafts 40DIA

Non standard trackers can be made to customer specifications

TRU-TRAC ROLLERS (PTY) LTD

Tel: +27 (12) 661-9531 Fax: +27 (12) 661-9498 Web Page: <http://www.tru-trac.com>
Email: info@tru-trac.com PO Box 8707 Centurion 0046