

TECHNICAL DATA

Tru-Trac Taper Trough Tracker HD

Polyurethane (Fire Retardant) FRAS 12mm

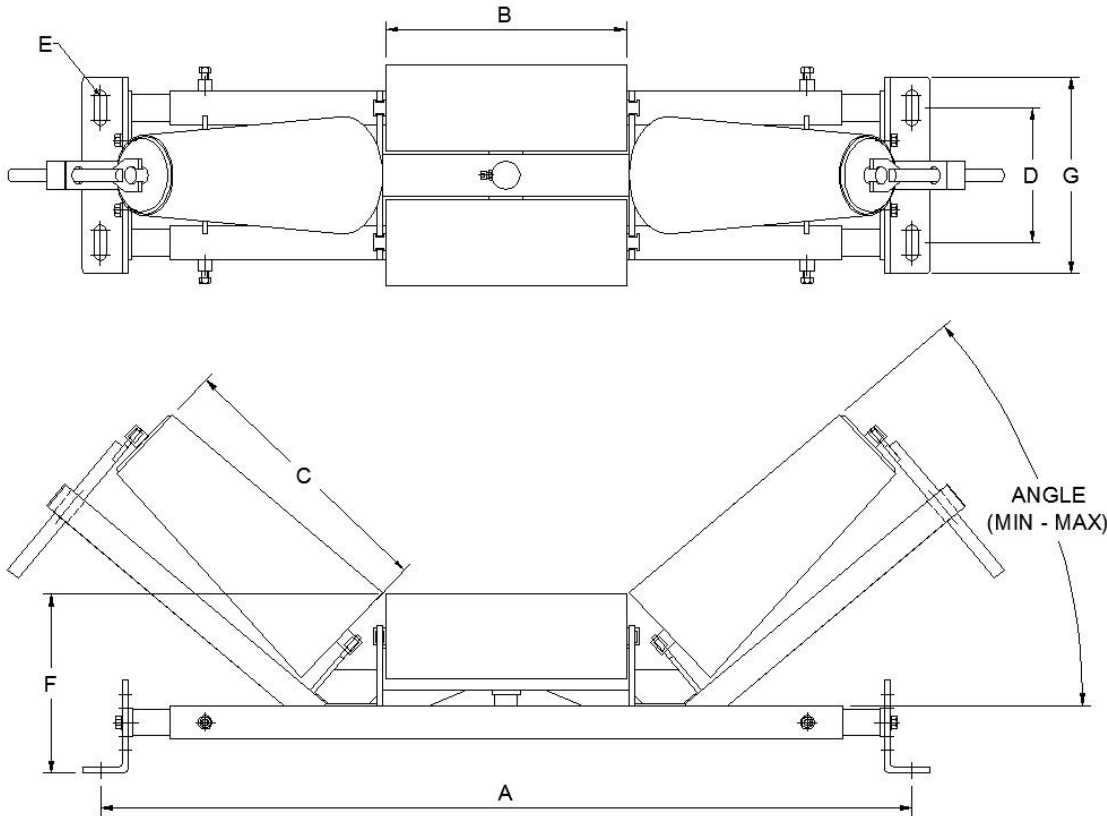
Doc. No:TTMQ906

Page: 1 of 1

Rev: 0

Date: 15.06.2016

Centre Roll Bearings: Roller Bearings
Wing Roll Bearings: Spherical Bearings



Code	Belt width	A Adjustable +/-150MM	B	C	D Min-Max	E (Slot)	F Min-Max	Angle Min- Max	G	Weight (Kg)
TTT90HDTAPPUF	900	1144	320 x Ø127	380	85 - 197	14 x 70	245 - 295	35° - 45°	300	85
TTT100HDTAPPUF	1000	1240	340 x Ø127	380	85 - 197	14 x 70	245 - 295	35° - 45°	300	90
TTT105HDTAPPUF	1050	1296	370 x Ø127	380	85 - 197	14 x 70	245 - 295	35° - 45°	300	94
TTT110HDTAPPUF	1100	1348	370 x Ø127	380	85 - 197	14 x 70	245 - 295	35° - 45°	300	94
TTT120HDTAPPUF	1200	1448	430 x Ø152	490	197 - 283	22 x 65	275 - 375	35° - 45°	350	120
TTT135HDTAPPUF	1350	1600	480 x Ø152	490	197 - 283	22 x 65	275 - 375	35° - 45°	350	126
TTT140HDTAPPUF	1400	1700	480 x Ø152	490	197 - 283	22 x 65	275 - 375	35° - 45°	350	126
TTT150HDTAPPUF	1500	1752	540 x Ø152	640	197 - 283	22 x 65	275 - 375	35° - 45°	350	153

All dimensions in mm

900-1500 Both Centre Rolls & Wing Rolls Shafts 30DIA

Non standard trackers can be made to customer specifications

TRU-TRAC ROLLERS (PTY) LTD

Tel: +27 (12) 661-9531 Fax: +27 (12) 661-9498 Web Page: <http://www.tru-trac.com>
Email: info@tru-trac.com PO Box 8707 Centurion 0046