

TECHNICAL DATA

Tru-Trac Taper Trough Tracker

Rubber 12mm

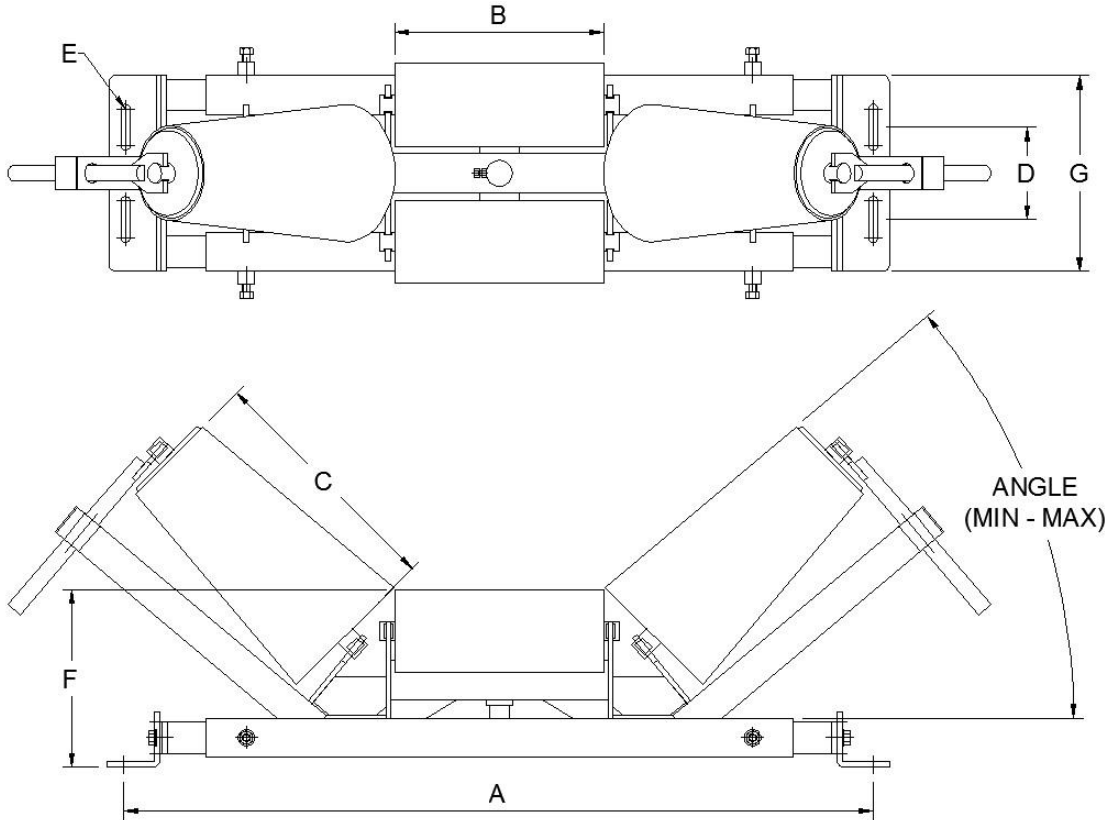
Doc. No:TTMQ901

Page: 1 of 1

Rev: 0

Date: 15.06.2016

Centre Roll Bearings: Roller Bearings
Wing Roll Bearings: Roller Bearings



Code	Belt width	A Adjustable +/-150MM	B	C	D Min-Max	E (Slot)	F Min-Max	Angle Min-Max	G	Weight (Kg)
TTT45TAPER	450	686	180 x Ø101	200	85 - 197	14 x 70	210 - 260	35° - 45°	300	39
TTT50TAPER	500	736	180 x Ø101	200	85 - 197	14 x 70	210 - 260	35° - 45°	300	39
TTT60TAPER	600	838	220 x Ø101	290	85 - 197	14 x 70	210 - 260	35° - 45°	300	44
TTT65TAPER	650	890	220 x Ø101	290	85 - 197	14 x 70	210 - 260	35° - 45°	300	44
TTT75TAPER	750	990	270 x Ø101	290	85 - 197	14 x 70	210 - 260	35° - 45°	300	53
TTT80TAPER	800	1040	270 x Ø101	290	85 - 197	14 x 70	210 - 260	35° - 45°	300	53
TTT90TAPER	900	1144	320 x Ø127	380	85 - 197	14 x 70	245 - 295	35° - 45°	300	85
TTT100TAPER	1000	1240	340 x Ø127	380	85 - 197	14 x 70	245 - 295	35° - 45°	300	90
TTT105TAPER	1050	1296	370 x Ø127	380	85 - 197	14 x 70	245 - 295	35° - 45°	300	94
TTT110TAPER	1100	1348	370 x Ø127	380	85 - 197	14 x 70	245 - 295	35° - 45°	300	94
TTT120TAPER	1200	1448	430 x Ø152	490	197 - 283	22 x 65	275 - 375	35° - 45°	350	120

All dimensions in mm

450-800 Both Centre Rolls & Wing Rolls Shafts 25DIA
900-1200 Both Centre Rolls & Wing Rolls Shafts 30DIA

Non standard trackers can be made to customer specifications

TRU-TRAC ROLLERS (PTY) LTD

Tel: +27 (12) 661-9531 Fax: +27 (12) 661-9498 Web Page: <http://www.tru-trac.com>
Email: info@tru-trac.com PO Box 8707 Centurion 0046