

# TECHNICAL DATA

## Tru-Trac Taper Trough Tracker

### EXHD Polyurethane

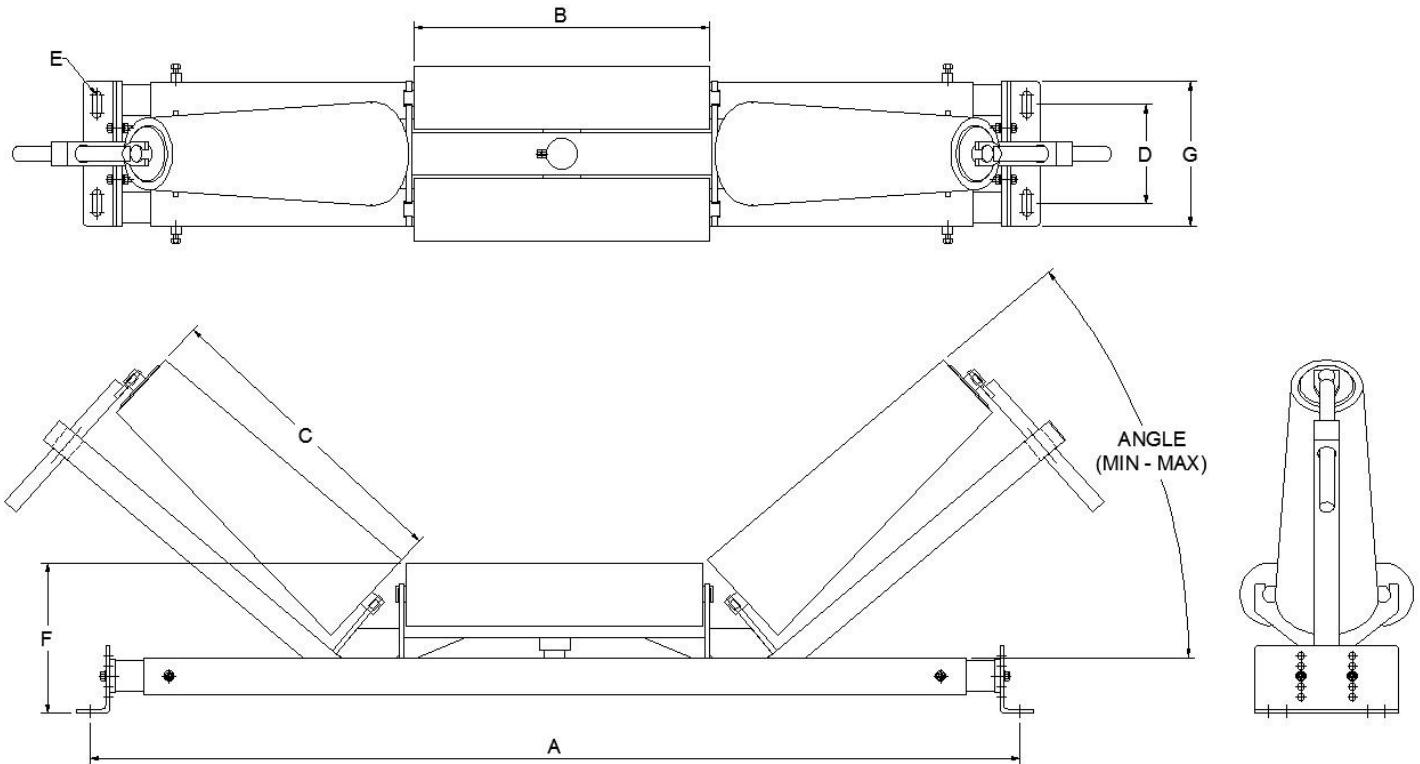
Doc. No:TTMQ911

Page: 1 of 1

Rev: 0

Date: 10.02.2017

Centre Roll Bearings: Spherical Bearings  
Wing Roll Bearings: Spherical Bearings



Code	Belt width	A Adjustable +/-150MM	B	C	D Min - Max	E (Slot)	F Min - Max	Angle Min - Max	G	Weight (Kg)
TTT180EXHDTAPPU	1800	2058	640 x Ø152	640	197 - 283	22 x 65	330 - 430	35° - 45°	350	179
TTT200EXHDTAPPU	2000	2260	720 x Ø152	750	197 - 283	22 x 65	330 - 430	35° - 45°	350	196
TTT210EXHDTAPPU	2100	2362	720 x Ø152	750	197 - 283	22 x 65	330 - 430	35° - 45°	350	213
TTT220EXHDTAPPU	2200	2464	800 x Ø152	800	197 - 283	22 x 65	330 - 430	35° - 45°	350	230
TTT230EXHDTAPPU	2300	2515	850 x Ø152	800	197 - 283	22 x 65	330 - 430	35° - 45°	350	247
TTT240EXHDTAPPU	2400	2668	850 x Ø152	850	197 - 283	22 x 65	330 - 430	35° - 45°	350	264
TTT250EXHDTAPPU	2500	2770	900 x Ø152	850	197 - 283	22 x 65	330 - 430	35° - 45°	350	281
TTT260EXHDTAPPU	2600	2820	950 x Ø152	850	197 - 283	22 x 65	330 - 430	35° - 45°	350	298

All dimensions in mm

1800-2600 Both Centre Rolls & Wing Rolls Shafts 40DIA

**Non standard trackers can be made to customer specifications**

**TRU-TRAC ROLLERS (PTY) LTD**

Tel: +27 (12) 661-9531 Fax: +27 (12) 661-9498 Web Page: <http://www.tru-trac.com>  
Email: [info@tru-trac.com](mailto:info@tru-trac.com) PO Box 8707 Centurion 0046