



# TECHNICAL DATA

## Tru-Trac Taper Trough Tracker

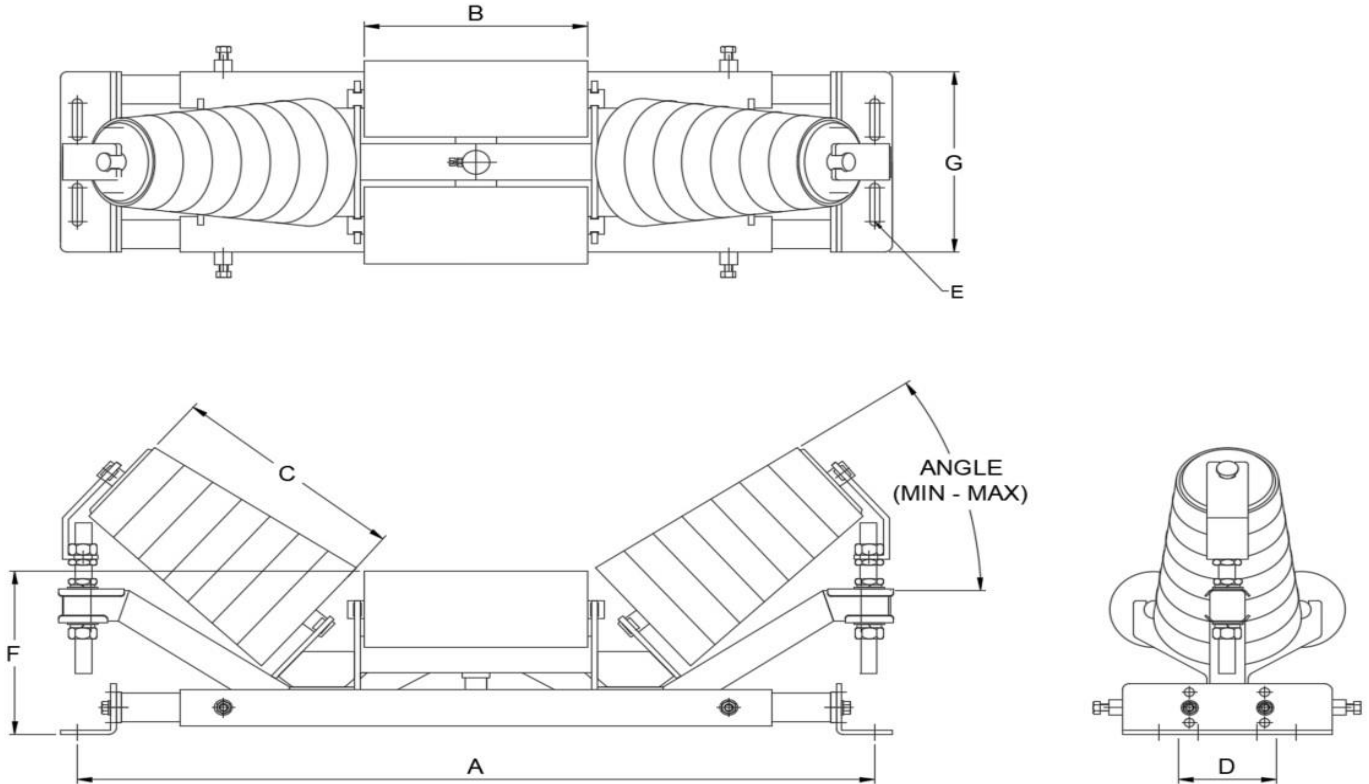
### Narrow Design Rubber Ring

Doc. No: TTMQ901

Page: 1 of 1

Rev: 0

Date: 09.02.2021



Code	Belt width	A Adjustable +/-50mm	B	C	D Min-Max	E (Slot)	F Min-Max	Angle Min-Max	G	Weight (Kg)
TTT45NRTAPRR	450	686	120 x Ø101	200	85 - 197	14 x 70	210 - 260	30° - 50°	300	39
TTT50NRTAPRR	500	736	120 x Ø101	250	85 - 197	14 x 70	210 - 260	30° - 50°	300	39
TTT60NRTAPRR	600	838	220 x Ø101	250	85 - 197	14 x 70	210 - 260	30° - 50°	300	44
TTT65NRTAPRR	650	890	220 x Ø101	270	85 - 197	14 x 70	210 - 260	30° - 50°	300	44
TTT75NRTAPRR	750	990	270 x Ø101	290	85 - 197	14 x 70	210 - 260	30° - 50°	300	53
TTT80NRTAPRR	800	1040	270 x Ø101	330	85 - 197	14 x 70	210 - 260	30° - 50°	300	53
TTT90NRTAPRR	900	1144	320 x Ø127	350	85 - 197	14 x 70	245 - 295	30° - 50°	300	85
TTT100NRTAPRR	1000	1240	340 x Ø127	380	85 - 197	14 x 70	245 - 295	30° - 50°	300	90
TTT105NRTAPRR	1050	1296	370 x Ø127	380	85 - 197	14 x 70	245 - 295	30° - 50°	300	94
TTT110NRTAPRR	1100	1348	370 x Ø127	410	85 - 197	14 x 70	245 - 295	30° - 50°	300	94
TTT120NRTAPRR	1200	1448	430 x Ø152	440	197 - 283	22 x 65	275 - 375	30° - 50°	350	120

Centre Roll Bearings: Roller Bearings

Wing Roll Bearings: Roller Bearings

All dimensions in mm

450-800 Both Centre Rolls & Wing Rolls Shafts 25DIA

900-1200 Both Centre Rolls & Wing Rolls Shafts 30DIA

**Non standard trackers can be made to customer specifications**

**TRU-TRAC ROLLERS (PTY) LTD**

Tel: +27 (12) 661-9531 Fax: +27 (12) 661-9489 Web Page: <http://www.tru-trac.com>

Email: [info@tru-trac.com](mailto:info@tru-trac.com) PO Box 8707 Centurion 0046