

# TECHNICAL DATA SHEET

## MS® FASTENER



**TRU-TRAC**  
ROLLERS (PTY) LTD

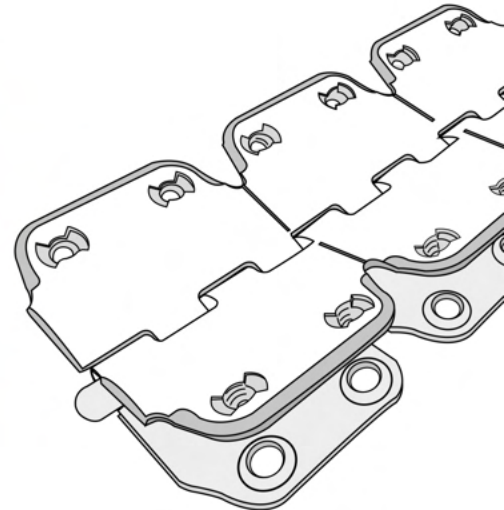
### TECHNICAL DATA

#### FASTENER

Manufactured in galvanized carbon or stainless steel quality\*.  
Our fasteners are segmented for ease of breaking to your desired width

Fastener size	Belt thickness		mini pulley ø		Maximum operating tension of the belt		Maximum breakdown tension of the belt	
	mm	inch	mm	inch	N/mm	PIW	N/mm	PIW
MS25 RB	3.5 - 7.5	9/64 - 5/16	75	3	45	246	450	24.6
MS35	4.5 - 10	5/32 - 3/8	90	3.5	63	360	630	36
MS45	6 - 11	1/4 - 7/16	125	5	63	360	630	36
MS55	9 - 15	23/64 - 19/32	250	10	100	571	1000	57.1
MS65	10 - 18	3/8 - 23/32	450	18	125	714	1250	71.4

\*except the MS65



#### PINS\*\*

Fastener size	Final belt thickness		Type of pins	Pin diameter
	mm	inch		mm
MS25 RB	3.5 - 7.5	9/64 - 5/16	coated or uncoated cable	4 - 4.6 - 5 (galvanized or stainless steel)
MS35	4.5 - 10	5/32 - 3/8		5.1 - 5 rigid (galvanized or stainless steel)
MS45	6 - 11	1/4 - 7/16		6.5 (Stainless steel) 7 (galvanized or stainless steel)
MS55	9 - 15	23/64 - 19/32		8
MS65	10 - 18	3/8 - 23/32		10

\*\*You can install a clip (washer) on the ends of your connecting pin to prevent migration.



For any support in the installation of our products or in the resolution of problems on your conveyor belt, benefit from our **HOTLINE service** in real time.

Registration on [www.mlt-lacing.com/mlt-hotline](http://www.mlt-lacing.com/mlt-hotline)



## SCREWS

Type	Final belt thickness		Screw Length
	mm	inch	mm
MS25	3 - 7	1/8 - 9/64	4 x 10 et 4 x 12
MS35	5 - 9	3/16 - 23/64	5 x 10 et 5 x 12
MS45	7 - 11	9/64 - 7/16	5 x 12 et 5 x 14
MS55	9 - 13	23/64 - 33/64	5 x 14 et 5 x 16
MS65	12 - 16	15/32 - 5/8	5 x 18 et 5 x 20

	Number of required screws for MS® Fasteners																			
	Belt width																			
	mm	inch	mm	inch	mm	inch	mm	inch	mm	inch	mm	inch	mm	inch	mm	inch	mm	inch	mm	inch
	300	12	500	18	600	24	650	30	800	36	1000	42	1200	48	1500	54	2000	72	3000	118
MS25	48		60		96		104		132		164		196		248		322		492	
MS35	28		48		56		60		76		96		116		148		200		300	
MS45	20		36		44		48		60		76		92		116		160		240	
MS55	36		66		78		84		108		138		162		210		282		426	
MS65	56		88		104		112		144		184		224		280		376		568	

## PACKAGING

According to your needs



### AT THE UNIT\*

the kit contains

- 4 fasteners at the length adapted to the width of your belt,
- number of screws adapted to your fastener length and size,
- coated steel pin, adapted to your fastener length and size,
- PZ bit.

### PER BOX OF 4 JUNCTIONS\*

the kit contains

- 1 fastener at the length adapted to the width of your belt,
- number of screws adapted to your fastener length and size,
- coated steel pin, adapted to your fastener length and size,
- PZ bit.

### PER CASE OF 48 JUNCTIONS\*

the kit contains

- 48 fasteners at the length adapted to the width of your belt,
- embout PZ,
- Pins and screws to be ordered separately.

\*available for certain models of MS® Fasteners: consult us



**TRU-TRAC**  
ROLLERS (PTY) LTD

www.tru-trac.com

Email: sales@tru-trac.com Tel: +27 (0) 12 662 9531