



# TECHNICAL DATA

## Tru-Trac Taper Trough Tracker

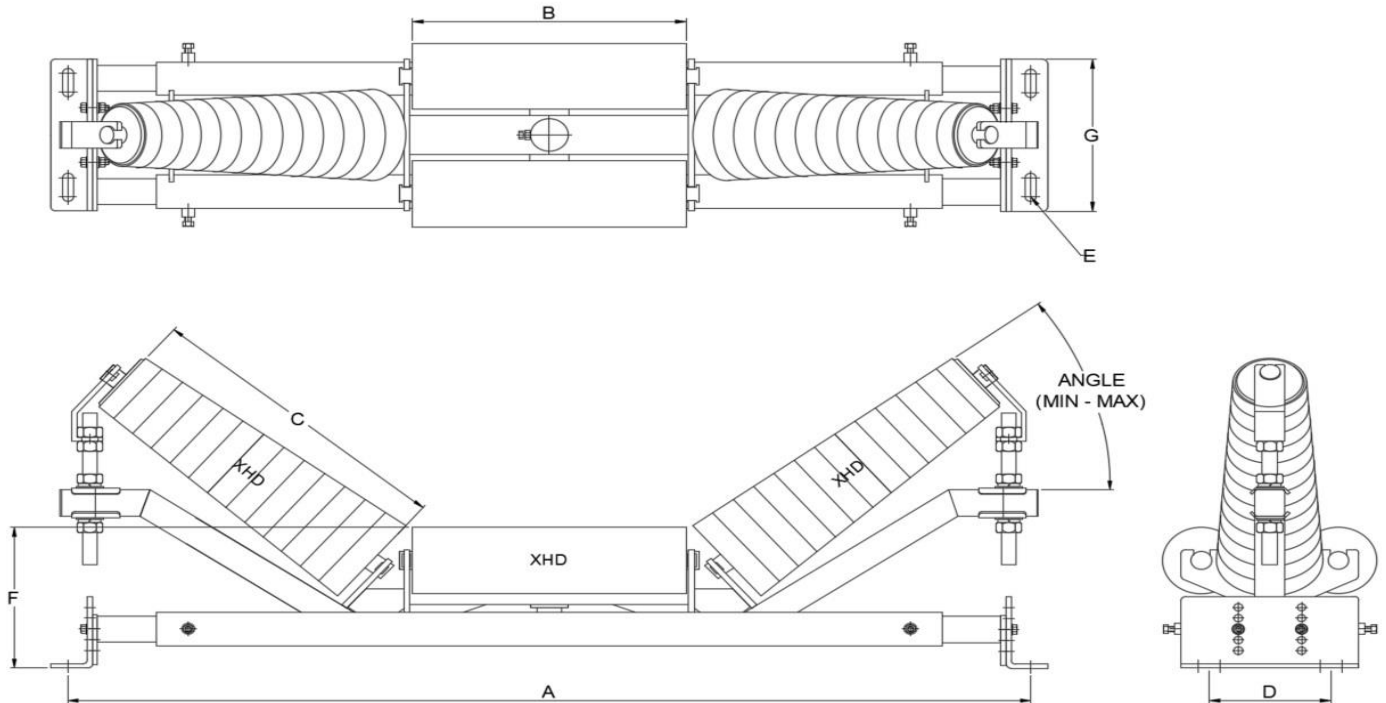
### Narrow Design EXHD Rubber Ring

Doc. No: TTMQ910

Page: 1 of 1

Rev: 0

Date: 19.07.2021



Code	Belt width	A Adjustable +/-50mm	B	C	D Min-Max	E (Slot)	F Min-Max	Angle Min-Max	G	Weight (Kg)
TTT120NRXHDTAPRR	1200	1448	430 x $\phi$ 152	440	197 - 283	22 x 65	330 - 430	30° - 50°	350	
TTT135NRXHDTAPRR	1350	1600	480 x $\phi$ 152	490	197 - 283	22 x 65	330 - 430	30° - 50°	350	
TTT140NRXHDTAPRR	1400	1700	480 x $\phi$ 152	540	197 - 283	22 x 65	330 - 430	30° - 50°	350	
TTT150NRXHDTAPRR	1500	1752	540 x $\phi$ 152	540	197 - 283	22 x 65	330 - 430	30° - 50°	350	
TTT160NRXHDTAPRR	1600	1900	540 x $\phi$ 152	640	197 - 283	22 x 65	330 - 430	30° - 50°	350	209
TTT165NRXHDTAPRR	1650	1900	540 x $\phi$ 152	640	197 - 283	22 x 65	330 - 430	30° - 50°	350	211
TTT180NREXHDTAPRR	1800	2058	640 x $\phi$ 152	640	197 - 283	22 x 65	330 - 430	30° - 50°	350	220
TTT200NREXHDTAPRR	2000	2260	720 x $\phi$ 152	750	197 - 283	22 x 65	330 - 430	30° - 50°	350	
TTT210NREXHDTAPRR	2100	2362	720 x $\phi$ 152	750	197 - 283	22 x 65	330 - 430	30° - 50°	350	
TTT220NREXHDTAPRR	2200	2464	800 x $\phi$ 152	800	197 - 283	22 x 65	330 - 430	30° - 50°	350	
TTT230NREXHDTAPRR	2300	2515	850 x $\phi$ 152	800	197 - 283	22 x 65	330 - 430	30° - 50°	350	
TTT240NREXHDTAPRR	2400	2668	850 x $\phi$ 152	850	197 - 283	22 x 65	330 - 430	30° - 50°	350	321
TTT250NREXHDTAPRR	2500	2770	850 x $\phi$ 152	900	197 - 283	22 x 65	330 - 430	30° - 50°	350	
TTT260NREXHDTAPRR	2600	2820	950 x $\phi$ 152	900	197 - 283	22 x 65	330 - 430	30° - 50°	350	

Centre Roll Bearings: Spherical Bearings  
Wing Roll Bearings: Spherical Bearings

All dimensions in mm

1200-2600 Both Centre Rolls & Wing Rolls Shafts 40DIA

**Non standard trackers can be made to customer specifications**

**TRU-TRAC ROLLERS (PTY) LTD**

Tel: +27 (12) 661-9531 Fax: +27 (12) 661-9489 Web Page: <http://www.tru-trac.com>

Email: [info@tru-trac.com](mailto:info@tru-trac.com) PO Box 8707 Centurion 0046