



TECHNICAL DATA

Tru-Trac Taper Trough Tracker

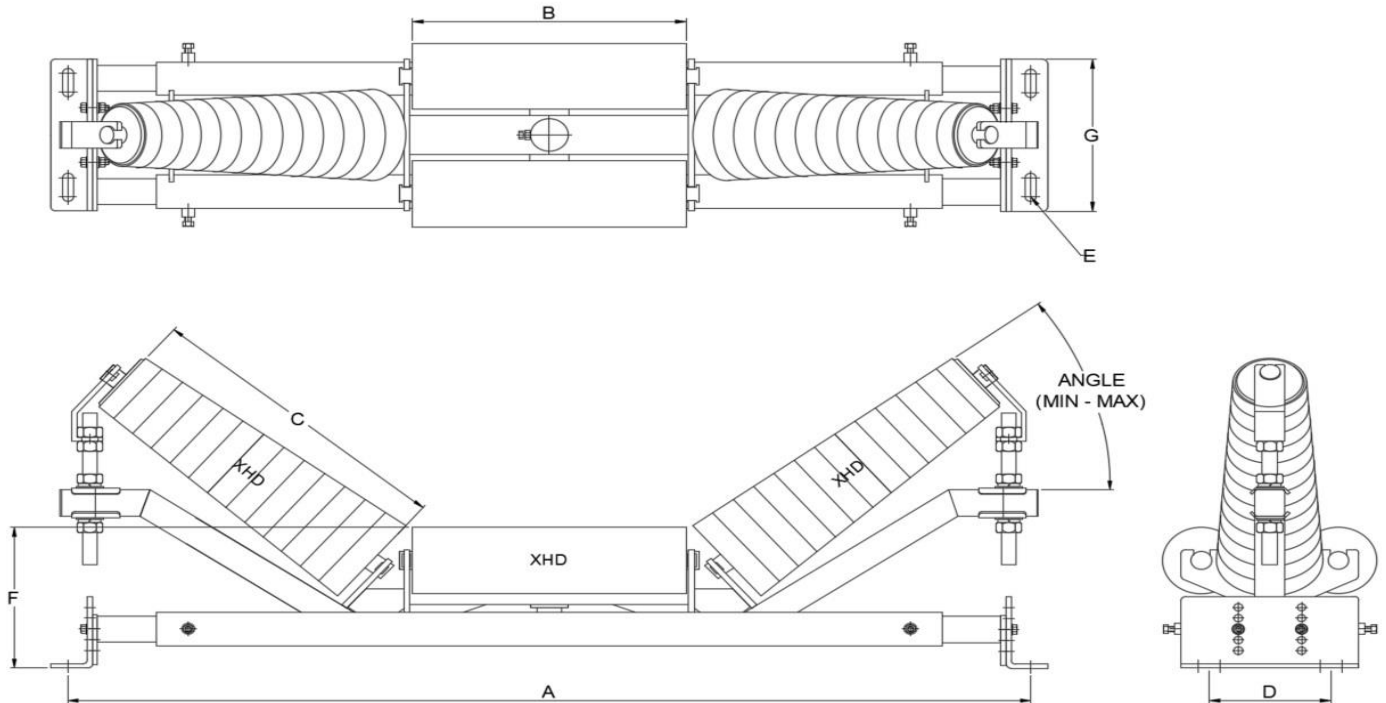
Narrow Design XHD Rubber Ring

Doc. No: TTMQ907

Page: 1 of 1

Rev: 0

Date: 19.07.2021



Code	Belt width	A Adjustable +/-50mm	B	C	D Min-Max	E (Slot)	F Min-Max	Angle Min-Max	G	Weight (Kg)
TTT105NRXHDTAPRR	1050	1296	370 x Ø152	380	197 - 283	22 x 65	275 - 375	30° - 50°	350	
TTT110NRXHDTAPRR	1100	1348	370 x Ø152	410	197 - 283	22 x 65	275 - 375	30° - 50°	350	
TTT120NRXHDTAPRR	1200	1448	430 x Ø152	440	197 - 283	22 x 65	275 - 375	30° - 50°	350	
TTT135NRXHDTAPRR	1350	1600	480 x Ø152	490	197 - 283	22 x 65	275 - 375	30° - 50°	350	
TTT140NRXHDTAPRR	1400	1700	480 x Ø152	540	197 - 283	22 x 65	275 - 375	30° - 50°	350	
TTT150NRXHDTAPRR	1500	1752	540 x Ø152	540	197 - 283	22 x 65	275 - 375	30° - 50°	350	
TTT160NRXHDTAPRR	1600	1900	540 x Ø152	640	197 - 283	22 x 65	275 - 375	30° - 50°	350	209
TTT165NRXHDTAPRR	1650	1900	540 x Ø152	640	197 - 283	22 x 65	275 - 375	30° - 50°	350	211
TTT180NRXHDTAPRR	1800	2058	640 x Ø152	640	197 - 283	22 x 65	275 - 375	30° - 50°	350	220

Centre Roll Bearings: Spherical Bearings

Wing Roll Bearings: Spherical Bearings

All dimensions in mm

1050-1800 Both Centre Rolls & Wing Rolls Shafts 40DIA

Non standard trackers can be made to customer specifications

TRU-TRAC ROLLERS (PTY) LTD

Tel: +27 (12) 661-9531 Fax: +27 (12) 661-9489 Web Page: <http://www.tru-trac.com>

Email: info@tru-trac.com PO Box 8707 Centurion 0046