



TECHNICAL DATA

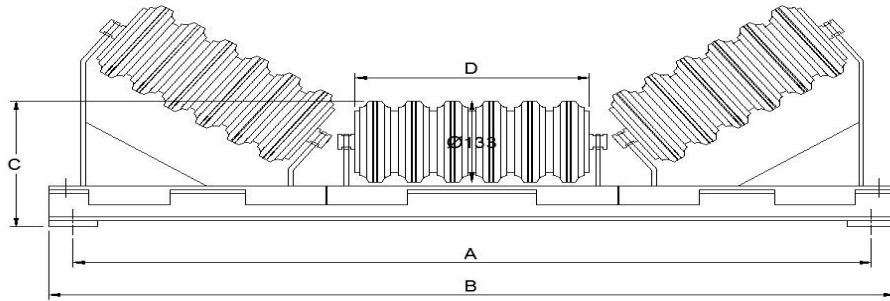
Tru-Trac Slider Trough Frame Impact Idler Dia133 (25 Series)

Doc. No: TTMQ866

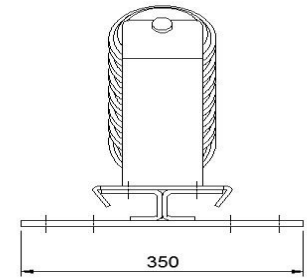
Page: 1 of 1

Rev: 0

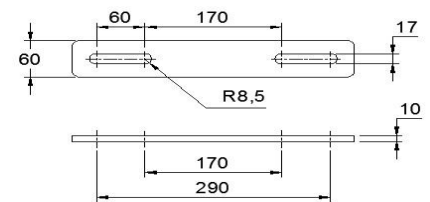
Date: 16.09.2021



FRONT VIEW



SIDE VIEW



MOUNTING DETAIL

Code	Belt width	A	B	C	D (Face Length)	Shaft Dia.	Weight (Kg)
TTSTF60GL133	600	838	898	206	240	25	28
TTSTF75GL133	750	990	1050	206	290	25	35
TTSTF80GL133	800	1090	1150	206	300	25	37
TTSTF90GL133	900	1144	1204	206	340	25	42
TTSTF105GL133	1050	1296	1356	206	390	25	48
TTSTF120GL133	1200	1448	1508	206	450	25	55
TTSTF135GL133	1350	1600	1660	206	500	25	62
TTSTF140GL133	1400	1700	1760	206	536	25	64
TTSTF150GL133	1500	1752	1812	206	560	25	69
TTSTF160GL133	1600	1904	1964	206	586	25	73
TTSTF165GL133	1650	1904	1964	206	610	25	75
TTSTF180GL133	1800	2058	2118	206	660	25	82
TTSTF200GL133	2000	2210	2270	206	740	25	92
TTSTF210GL133	2100	2362	2422	206	765	25	97
TTSTF220GL133	2200	2420	2480	206	800	25	101
TTSTF230GL133	2300	2515	2575	206	840	25	105
TTSTF240GL133	2400	2668	2728	206	870	25	111
TTSTF250GL133	2500	2770	2830	206	885	25	115
TTSTF260GL133	2600	2820	2880	206	965	25	119

Angle Is Not Adjustable

All dimensions in mm

* As Per Mine Spec OR Roller Sample

* Specify Degree Angle 25/35/45

Non standard trackers can be made to customer specifications

TRU-TRAC ROLLERS (PTY) LTD

Tel: +27 (12) 661-9531 Fax: +27 (12) 661-9489 Web Page: <http://www.tru-trac.com>

Email: info@tru-trac.com PO Box 8707 Centurion 0046