



TECHNICAL DATA

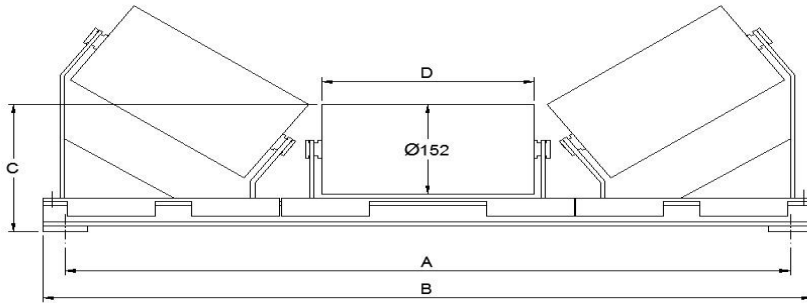
Tru-Trac Slider Trough Frame Steel Idler Dia152 (30/35 Series)

Doc. No: TTMQ864

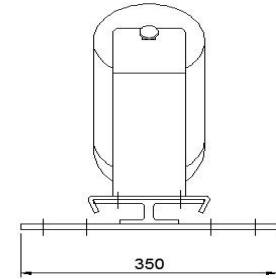
Page: 1 of 1

Rev: 0

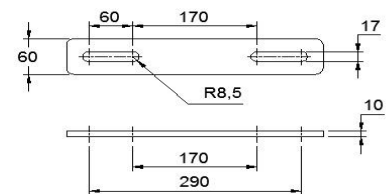
Date: 16.09.2021



FRONT VIEW



SIDE VIEW



MOUNTING DETAIL

| Code | Belt width | A | B | C | D (Face Length) | Shaft Dia. | Weight (Kg) |
|---------------|------------|------|------|-----|--------------------|------------|----------------|
| TTSTF60GL152 | 600 | 838 | 898 | 265 | 240 | 30/35 | 28 |
| TTSTF75GL152 | 750 | 990 | 1050 | 265 | 290 | 30/35 | 35 |
| TTSTF80GL152 | 800 | 1090 | 1150 | 265 | 300 | 30/35 | 37 |
| TTSTF90GL152 | 900 | 1144 | 1204 | 265 | 340 | 30/35 | 42 |
| TTSTF105GL152 | 1050 | 1296 | 1356 | 265 | 390 | 30/35 | 48 |
| TTSTF120GL152 | 1200 | 1448 | 1508 | 265 | 450 | 30/35 | 55 |
| TTSTF135GL152 | 1350 | 1600 | 1660 | 265 | 500 | 30/35 | 62 |
| TTSTF140GL152 | 1400 | 1700 | 1760 | 265 | 536 | 30/35 | 64 |
| TTSTF150GL152 | 1500 | 1752 | 1812 | 285 | 560 | 30/35 | 69 |
| TTSTF160GL152 | 1600 | 1904 | 1964 | 285 | 586 | 30/35 | 73 |
| TTSTF165GL152 | 1650 | 1904 | 1964 | 285 | 610 | 30/35 | 75 |
| TTSTF180GL152 | 1800 | 2058 | 2118 | 285 | 660 | 30/35 | 82 |
| TTSTF200GL152 | 2000 | 2210 | 2270 | 285 | 740 | 30/35 | 92 |
| TTSTF210GL152 | 2100 | 2362 | 2422 | 285 | 765 | 30/35 | 97 |
| TTSTF220GL152 | 2200 | 2420 | 2480 | 285 | 800 | 30/35 | 101 |
| TTSTF230GL152 | 2300 | 2515 | 2575 | 285 | 840 | 30/35 | 105 |
| TTSTF240GL152 | 2400 | 2668 | 2728 | 285 | 870 | 30/35 | 111 |
| TTSTF250GL152 | 2500 | 2770 | 2830 | 285 | 885 | 30/35 | 115 |
| TTSTF260GL152 | 2600 | 2820 | 2880 | 285 | 965 | 30/35 | 119 |

Angle Is Not Adjustable

All dimensions in mm

* As Per Mine Spec OR Roller Sample

* Specify Degree Angle 25/35/45

Non standard trackers can be made to customer specifications

TRU-TRAC ROLLERS (PTY) LTD

Tel: +27 (12) 661-9531 Fax: +27 (12) 661-9489 Web Page: <http://www.tru-trac.com>

Email: info@tru-trac.com PO Box 8707 Centurion 0046