



TECHNICAL DATA

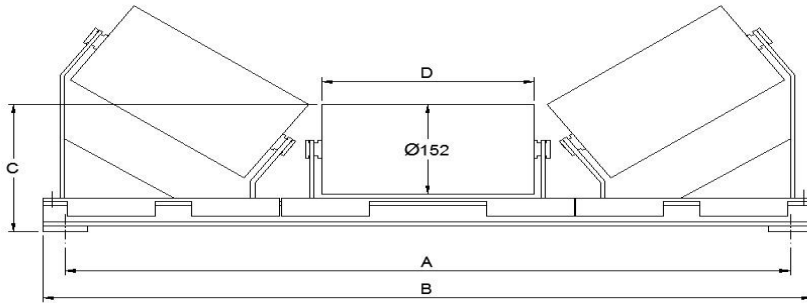
Tru-Trac Slider Trough Frame Steel Idler Dia152 (25 Series)

Doc. No: TTMQ863

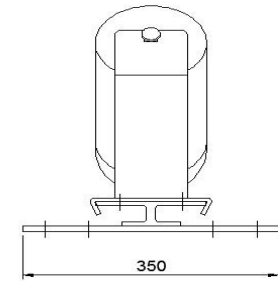
Page: 1 of 1

Rev: 0

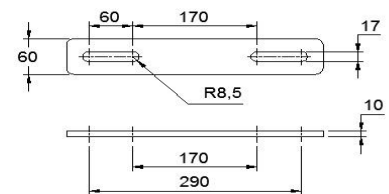
Date: 16.09.2021



FRONT VIEW



SIDE VIEW



MOUNTING DETAIL

Code	Belt width	A	B	C	D (Face Length)	Shaft Dia.	Weight (Kg)
TTSTF60GL152	600	838	898	215	240	25	28
TTSTF75GL152	750	990	1050	215	290	25	35
TTSTF80GL152	800	1090	1150	215	300	25	37
TTSTF90GL152	900	1144	1204	215	340	25	42
TTSTF105GL152	1050	1296	1356	215	390	25	48
TTSTF120GL152	1200	1448	1508	215	450	25	55
TTSTF135GL152	1350	1600	1660	215	500	25	62
TTSTF140GL152	1400	1700	1760	215	536	25	64
TTSTF150GL152	1500	1752	1812	215	560	25	69
TTSTF160GL152	1600	1904	1964	215	586	25	73
TTSTF165GL152	1650	1904	1964	215	610	25	75
TTSTF180GL152	1800	2058	2118	215	660	25	82
TTSTF200GL152	2000	2210	2270	215	740	25	92
TTSTF210GL152	2100	2362	2422	215	765	25	97
TTSTF220GL152	2200	2420	2480	215	800	25	101
TTSTF230GL152	2300	2515	2575	215	840	25	105
TTSTF240GL152	2400	2668	2728	215	870	25	111
TTSTF250GL152	2500	2770	2830	215	885	25	115
TTSTF260GL152	2600	2820	2880	215	965	25	119

Angle Is Not Adjustable

All dimensions in mm

* As Per Mine Spec OR Roller Sample

* Specify Degree Angle 25/35/45

Non standard trackers can be made to customer specifications

TRU-TRAC ROLLERS (PTY) LTD

Tel: +27 (12) 661-9531 Fax: +27 (12) 661-9489 Web Page: <http://www.tru-trac.com>

Email: info@tru-trac.com PO Box 8707 Centurion 0046