



TECHNICAL DATA

Tru-Trac Flat Return Tracker

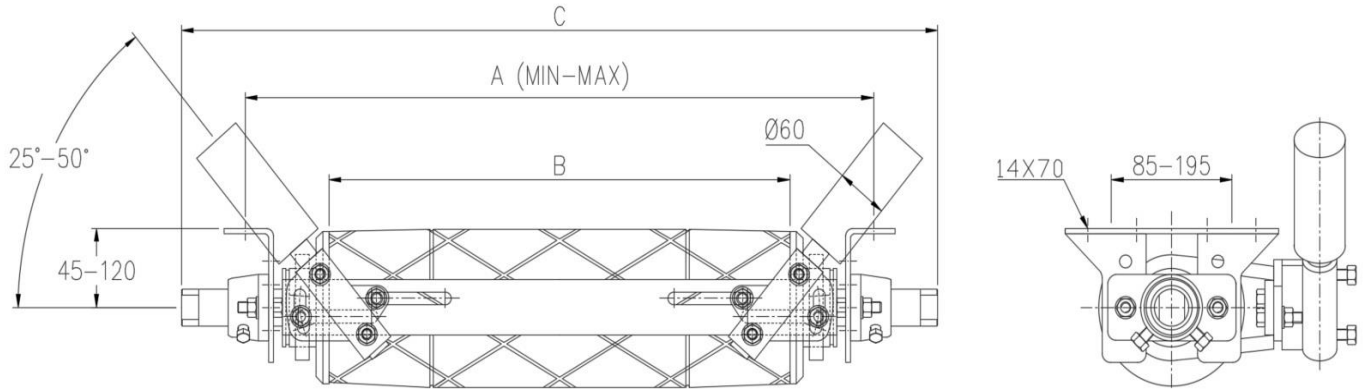
Low Speed Polyurethane 12mm

Doc. No: TTMQ707

Page: 1 of 1

Rev: 0

Date: 30.07.2021



Code	Belt width	A (Mounting Centre)	A Min - Max	B	C	Weight (Kg)
TTFLS45P	450	686	586 - 756	490	850	43
TTFLS50P	500	736	636 - 806	540	900	45
TTFLS60-65P	600 / 650	838 / 890	756 - 956	690	1050	49
TTFLS75-80P	750 / 800	990 / 1040	906 - 1106	840	1200	53
TTFLS85-90P	850 / 900	1090 / 1144	1006 - 1206	940	1300	58
TTFLS100-105P	1000 / 1050	1240 / 1296	1156 - 1356	1090	1450	63
TTFLS120P	1200	1448	1336 - 1506	1240	1600	68

Outside Drum Dia= 170*

Shaft = 40 Dia

All dimensions in mm

Non standard trackers can be made to customer specifications

* 170 dia, represents the minimum diameter, the actual dia can vary between 170 to 174

TRU-TRAC ROLLERS (PTY) LTD

Tel: +27 (12) 661-9531 Fax: +27 (12) 661-9489 Web Page: <http://www.tru-trac.com>

Email: info@tru-trac.com PO Box 8707 Centurion 0046