

# TECHNICAL DATA

## Tru-Trac Dual Return Tracker

### Rubber 16mm

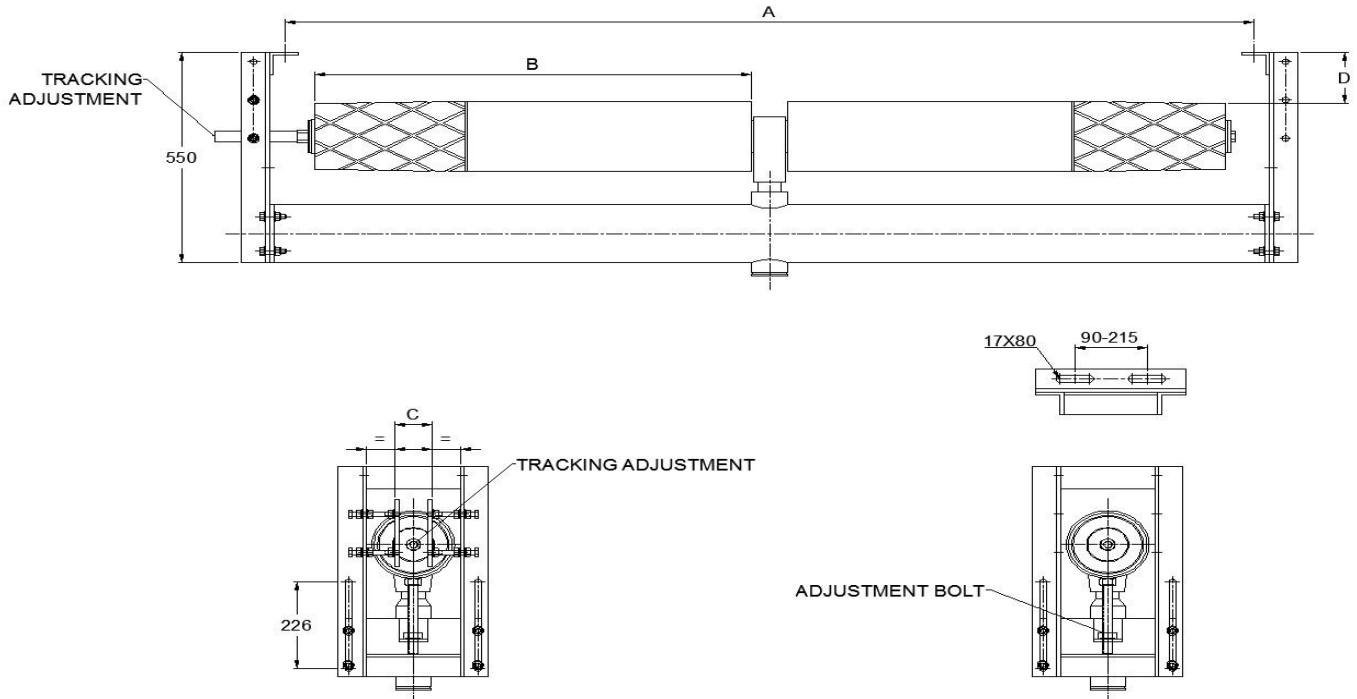
Doc. No:TTMQ503

Page: 1 of 1

Rev: 0

Date: 03.02.2017

Outside Drum Dia= 178\*



Code	Belt width	A	B	C	D Min - Max	Weight (Kg)
TTDR105A	1050	1296	550	88	15 - 130	130
TTDR120A	1200	1448	630	90	15 - 130	134
TTDR135A	1350	1600	705	92	15 - 130	138
TTDR140A	1400	1700	730	94	15 - 130	140
TTDR150A	1500	1752	780	98	15 - 130	152
TTDR160A	1600	1900	855	102	15 - 130	158
TTDR165A	1650	1900	855	104	15 - 130	158
TTDR180A	1800	2058	930	110	15 - 130	167
TTDR200A	2000	2260	1040	118	15 - 130	190
TTDR210A	2100	2362	1090	122	15 - 130	198
TTDR220A	2200	2464	1140	126	15 - 130	206
TTDR230A	2300	2515	1190	130	15 - 130	214
TTDR240A	2400	2668	1240	134	15 - 130	220
TTDR250A	2500	2770	1290	138	15 - 130	228
TTDR260A	2600	2820	1340	142	15 - 130	306

All dimensions in mm

**Nonstandard trackers can be made to customer specifications**

\*178 dia, represents the minimum diameter, the actual dia can vary between 178 to 182

**TRU-TRAC ROLLERS (PTY) LTD**

Tel: +27 (12) 661-9531 Fax: +27 (12) 661-9498 Web Page: <http://www.tru-trac.com>  
Email: [info@tru-trac.com](mailto:info@tru-trac.com) PO Box 8707 Centurion 0046